

BOMAG

Single Drum Vibratory Rollers

BW124D, BW124PD, BW124PDB



EARTHWORKS

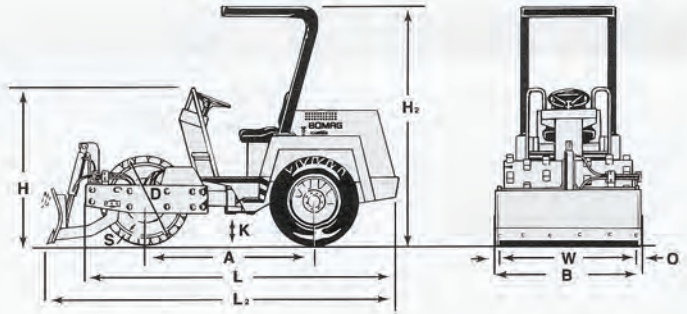
# passes	rolling speed (mph)	"productivity in cu yd/hr by lift thickness, 100 % efficiency"			
		3 inches	6 inches	9 inches	12 inches
2	2.82	271	543	814	—
3	2.82	181	362	543	724
4	2.82	136	271	407	543

Technical Specifications

BW124 Series

Shipping dimensions

in cubic feet (m ³)	without/with ROPS/FOPS	
BW124D	219.7 (6.2)	338.9 (9.6)
BW124PD	219.7 (6.2)	340.7 (9.7)
BW124PDB	251.4 (7.1)	389.9 (11.0)



Standard equipment

- Air/oil cooled diesel engine
- Hydrostatic drum and vibration drives
- Bolt-on oscillating, articulation joint
- Hydrostatic servo steering
- Hydrostatic vibration system
- Single lever control for travel and vibration
- Front and rear drum scrapers
- Visual warning indicators for:
 - Engine oil pressure
 - Electrical charge
 - Brakes (also audible)
 - Engine oil temperature
 - Air filter restriction
 - Low fuel level
- Warning horn
- Hourmeter
- Spring-Applied, Hydraulically-Released (SAHR) secondary/parking brake
- Transport /tie-down points
- Lockable instrument panel
- Back-up alarm system
- ROPS/FOPS with seat belt

Optional equipment

- Working lights (front & rear)
- Smooth drum assembly for padfoot units
- Special paint, 1 color (Enamel only)

Dimensions

in inches (mm)	A	B	D	H	H ₂	K	L	L ₂	O	S	W
BW124D	65 (1660)	55 (1390)	30 (750)	59 (1490)	91 (2311)	10 (260)	117 (2970)	—	4 (95)	.5 (12)	47.2 (1200)
BW124PD	65 (1660)	55 (1390)	31.5 (800)	59 (1490)	91.5 (2324)	10 (260)	117 (2970)	—	4 (95)	.4 (10)	47.2 (1200)
BW124PDB	65 (1660)	56 (1415)	31.5 (800)	59 (1490)	91.5 (2324)	10 (260)	117 (2970)	130.4 (3312)	4 (95)	.4 (10)	47.2 (1200)

Technical data

Weights

	lb	(kg)	BOMAG BW124D	BOMAG BW124PD	BOMAG BW124PDB	
Basic weight	5717	(2593)	5750	(2608)	5750	(2608)
Operating weight with ROPS/FOPS	5957	(2702)	5990	(2717)	5990	(2717)
Axle load, drum	2967	(1346)	3000	(1361)	3000	(1361)
Axle load, wheels	2990	(1356)	2990	(1356)	2990	(1356)
Static linear load (drum)	63.1	(11.3)	—	—	—	—

Dimensions

	in	(mm)	BOMAG BW124D	BOMAG BW124PD	BOMAG BW124PDB	
Working width	47.2	(1200)	47.2	(1200)	47.2	(1200)
Track radius, inner	120.1	(3050)	120.1	(3050)	120.1	(3050)
Dimensions	see sketch	see sketch	see sketch	see sketch	see sketch	see sketch

Driving characteristics

	mph	(km/h)	BOMAG BW124D	BOMAG BW124PD	BOMAG BW124PDB	
Speed (1)	0-5.5	(0-9)	0-5.5	(0-9)	0-5.5	(0-9)
Maximum gradeability	40	%	40	%	40	%

Drive

	hp	(kW)	BOMAG BW124D	BOMAG BW124PD	BOMAG BW124PDB	
Engine manufacturer	Deutz		Deutz		Deutz	
Model	F3L1011		F3L1011		F3L1011	
Cooling - cylinder heads	air		air		air	
Cooling - cylinder liners	oil		oil		oil	
Number of cylinders	3		3		3	
Performance DIN 6271 IEN	37	(27.5)	37	(27.5)	37	(27.5)
Speed	2500	rpm	2500	rpm	2500	rpm
Performance SAEJ 1349	38	(28.3)	38	(28.3)	38	(28.3)
Speed	2500	rpm	2500	rpm	2500	rpm
Fuel	diesel		diesel		diesel	
Electric equipment	12	V	12	V	12	V
Drive system	hydrostatic		hydrostatic		hydrostatic	

Drums & Tires

	in ²	(cm ²)	BOMAG BW124D	BOMAG BW124PD	BOMAG BW124PDB	
Number of pad feet	—		—	70	70	
Area of one pad foot	4.1	(26.5)	4.1	(26.5)	4.1	(26.5)
Height of one pad foot	2.4	(60)	2.4	(60)	2.4	(60)
Tire size and tread design	7.50x16, diamond		7.50x16, diamond	7.50x16, bar	7.50x16, bar	

Brakes

	BOMAG BW124D	BOMAG BW124PD	BOMAG BW124PDB
Service brake	hydrostatic	hydrostatic	hydrostatic
Secondary/Parking brake	SAHR	SAHR	SAHR

Steering

	BOMAG BW124D	BOMAG BW124PD	BOMAG BW124PDB
Steering system	oscill. artic.	oscill. artic.	oscill. artic.
Steering method	hydrostatic	hydrostatic	hydrostatic
Steering angle ±	30	degrees	30
Oscillating angle ±	6.5	degrees	6.5

Vibratory system

	rpm	(Hz)	BOMAG BW124D	BOMAG BW124PD	BOMAG BW124PDB	
Drive system	hydrostatic		hydrostatic		hydrostatic	
Frequency	2480	(41.3)	2480	(41.3)	2480	(41.3)
Amplitude	0.064	(1.6)	0.064	(1.6)	0.064	(1.6)
Centrifugal force	10,060	(44.7)	10,060	(44.7)	10,060	(44.7)

Capacities

	gal	(l)	BOMAG BW124D	BOMAG BW124PD	BOMAG BW124PDB	
Fuel	10	(38)	10	(38)	10	(38)
Hydraulic oil	8.0	(30.3)	8.0	(30.3)	8.0	(30.3)
Engine oil	1.6	(6.0)	1.6	(6.0)	1.6	(6.0)

Subject to technical alterations. Models shown may include optional equipment.

Compaction America, Inc.
2000 Kentville Road
Kentville, VA 23142



Compaction America